

MEI

Bill Acceptor

Series 2000

VN 2500

The Best just got Better!
Series 2000

USER FRIENDLY

It's the device your customers can trust to perform reliably — time and time again. The low jam rate, high acceptance rate, and increased bill capacity mean more transactions, less customer frustration and greater vend profits.

HIGH, FOUR-WAY ACCEPTANCE RATE

Satisfy customers by accepting torn, wrinkled, faded, damp, dirty, limp, folded, spindled or mutilated bills. Little or no bill preparation is required and bills can be fed 4-ways (in either direction, face up or down).

LOW MAINTENANCE

The streamlined recognition system features sensors embedded under a sealed plastic bill path and elimination of the magnetic head and pinch roller — dramatically reducing debris buildup and the need for cleaning.

The Series 2000's enclosed sensors are designed to divert the liquid from "salting" attempts. If "salted", the bill acceptor normally recovers without the need for a service call — continuing to operate and satisfy customers.

EASY, TIME-SAVING SETUP

The Series 2000 bill acceptor's design ensures convenient access to all switches. Easy-to-read labels explain switch settings. With the VN 2500, options can be easily customized on-location via a simple-to-use configuration coupon.

The unit is designed to fit the same space as the VFM and is available with a VFM bezel. A compact bezel option on the VN 2500 allows bottling machines to maximize bill capacity. The unit can handle all VFM3 interfaces, plus MDB with more spacious mounting areas making installation easier.

MEI FLASHPORT™ FOR FUTURE FLEXIBILITY

The VN 2500 accepts all \$1, \$2, and \$5 bills in circulation. Also, the unit's re-programmable flash memory enables quick, easy updates of software files such as new currency designs or value coupons.



ENHANCED SECURITY

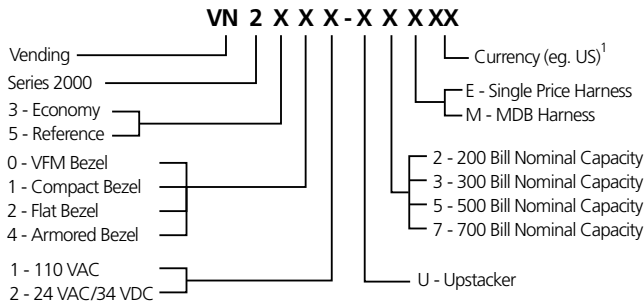
Borrowing from our gaming industry expertise we've applied the same hi-security technology to the Series 2000 Bill Acceptor. Our **enhanced** multi-wavelength optics and sophisticated data processing combine to make the VN 2500 a superior value. Also, the fully-encased, optical sensors ensure consistent, high-quality recognition.

While no system can claim complete security, the Series 2000 bill acceptor's sensors greatly reduce vulnerability to both "yank cheating" and invalid bills.



SERIES 2000 CONFIGURATION & OPTIONS

Series 2000 Model Configuration Sample



Series 2000 Options / Accessories

Part Number	Description
250066027	Series 2000 Locking Hasp Kit (two per box)
250061038	Armored Bezel
250062041	Sealed Cover (five per box)

Series 2000 Magazine Options

Part Number	Description
250063015	200 Bill Magazine
250061016	300 Bill Magazine
250069017	500 Bill Magazine
250068021	700 Bill Magazine

SERIES 2000 BILL ACCEPTOR SPECIFICATIONS

Acceptance Rate

95% or greater for \$1, \$2 and \$5 U.S. bills

Bill Insertion

Lengthwise, four way (face up or down, either direction)

Transaction Speed

Approximately 4 seconds (from bill insertion to completed bill-stacking)

Interfaces

MEI Serial Protocol
MDB
Multiple Pulse — Vending

¹ Call MEI for other currency options

² Armored bezel unit weighs 5 pounds

Power Sources

90 to 135 VAC, 60 Hz or 18 to 28 VAC, 60 Hz, 22 to 45 VDC

Power Consumption

Standby: 5 Watts, **Acceptance:** 10 Watts, **Full Stack Max:** 50 Watts

Escrow

One bill

Approximate Shipping Weight

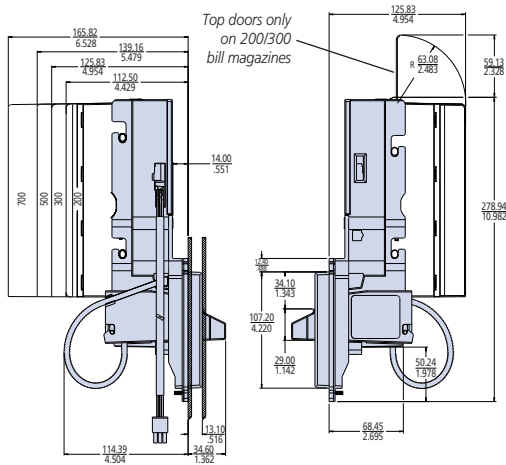
4 pounds²

Environment

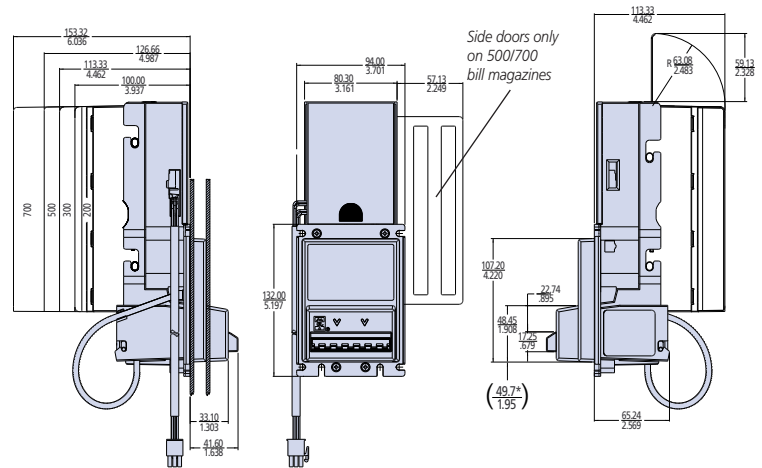
Operating temperature: -15° C to 60° C

Storage temperature: -40° C to 70° C

Series 2000 with VFM Bezel



Series 2000 with Compact Bezel



* Armored bezel.

For additional technical specifications, contact MEI or contact:

Representative:

UNITED STATES

MEI
1301 Wilson Drive
West Chester, PA 19380
Tel: 1 610 430 2500
800 345 8215
Fax: 1 610 430 2694

MEXICO

MEI de Mexico S. de R.L. de C.V.
Queretaro Plant
Av. Santa Rosa de Vitebo #10
Parque Industrial Finsa-Queretaro
El Marques, Qro., Mexico C.P. 76246
Tel: 52 42 382000.
Fax: 52 42 3820-01

UNITED KINGDOM

MEI
Eskdale Road
Winkersham Triangle
Wokingham
Berkshire, RG41 5AQ, England
Tel: 44 1189 697 700
Fax: 44 1189 446 412

SWITZERLAND

MEI
109, ch. Pont-du-Centenaire
Plan-les-Ouates
P.O. Box 2650
1211 Geneva 2, Switzerland
Tel: 41 22 884 0505
Fax: 41 22 884 0504

WEB SITE: www.meiglobal.com

TECHNICAL SUPPORT: meitech.support@effem.com

CUSTOMER SUPPORT: meicustomer.service@effem.com

The MEI Device and MicroMech are registered marks. Information is subject to change without notice. MEI has made every effort to ensure that the information in this document is accurate. However, we cannot be held responsible for any errors or omissions.

